



WPS2909 NINE CELL

WHELEN
MANUFACTURED IN AMERICA

MASS NOTIFICATION WARNING PRODUCT

Whelen's Mass Notification WPS2900 Series omni-directional voice product delivers clear, powerful voice communication.

SYSTEM FEATURES

- **WPS2909** - Nine omni-directional speaker cells assembled in a vertical column
- Three compartment (Type III) natural finish aluminum or stainless steel cabinet
- Speaker cell includes nine high efficiency 400 watt EZ-Pull™ speaker drivers
- 50' (15.24m) cable included
- Pole top mounting bracket included
- Public address and pre-recorded voice message capability
- Local or remote controls available
- Battery powered
- Nine power amplifiers
- AC temperature compensated "tri-mode" 10 amp battery charger
- Electronic controller
- Tone Generator Timer
- Local control push-buttons
- Battery switch
- **RDVM1G** - digital voice 1-28 message capable
- **SI TEST**®
- **SLIDEOUT**™ battery tray
- Lightning arrestor
- Six standard warning tones - Wail, Whoop, Alert, Attack, Hi-Lo, Airhorn

SYSTEM OPTIONS

- **Solar option** - 2 each 80 watt panels, with brackets and solar regulator
- **Batteries** - 4 each Delco S2000 or Interstate Workaholic 31-MHD Batteries. Check Whelen's website, www.whelenmassnotification.com, for other recommended batteries
- **Microphone** - for use at the cabinet (local) or at the control point (remotely)
- **VisuAlert**™ - Omni-Directional visual warning Model **VALERT*** for 2900 Series
- **L31H*F4** - Top mount high dome beacon for 2900 Series, 24 VDC





WPS2909 NINE CELL

WHELEN
MANUFACTURED IN AMERICA

MASS NOTIFICATION WARNING PRODUCT

ACTIVATION CONTROLS

Our VHF and UHF radio narrow-band control packages feature Whelen protocol COMM/STAT and include the following:

- Radio
- Radio interface
- Tone or digital squelch
- 3-5 dB gain omni-directional antenna with bracket
- 35' (10.67 m) of RG58 antenna cable
- Polyphaser
- **SI TEST**[®]
- Low battery alarm (two-way only)

Other features are dependent upon one or two-way controls. Whelen equipment can be interfaced with many different types of two-way radio communications products and systems, from ACE, MOSCAD and FSK.

The following is available as standard options. **BOLD BLACK** in callout indicates the Whelen Model:

ONE-WAY CONTROLS

- **AUXIN** - Auxilliary board for contact closure activation
- **D2030LL** - 10 digit DTMF Landline
- **D2030NV** - 10 digit DTMF VHF High-Band Narrow - Band / 136-174 MHz
- **D2030NU** - 10 digit DTMF UHF Narrow-band / 450-470 MHz
- **WPSTT** - Two-tone sequential option (one-way radio package must be ordered from above options)

TWO-WAY CONTROLS

- **AUXCS** - Two-way contact closure activation and status board
- **C2030LL** - Two-way landline activation
- **C2030NV** - 10 digit DTMF VHF Narrow-Band / 136-174 MHz
- **C2030NU** - 10 digit DTMF UHF Narrow-Band / 450-470 MHz

OPTIONS

- **STATUS** - Cabinet window LED status indicator
- **PGINT** - Paging interface
- **INTRUWPS** - Intrusion Alarm

SPECIFICATIONS

Component	Height Inches (CM)	Width Inches (CM)	Depth Inches (CM)	Weight Lbs. (kg)
WPS2909 Speaker	118.00 (299.72)	33.40 (84.84)	-	535 (242.67)
Electronics Cabinet Type III (Aluminum)*	74.50 (189.23)	33.20 (84.33)	12.0 (30.50)	233 (105.70)
Pole Top Bracket	30.50 (77.47) (with top plate)	12.0 (30.50) x 13.50 (34.30)	See Drawing	71 (32.20)

Batteries add 230 lbs. (104.32 kg) *Stainless cabinet option adds 80 lbs. (36.29 kg). Pallets, boxes and skids add weight. Check with Whelen if a freight quote is needed.

Whelen Engineering Company, Inc.

WARNING: This product may contain chemicals known to the State of California to cause cancer and birth defects or other reproductive harm. For more information, visit whelen.com/regulatory.



WPS2909 NINE CELL

WHELEN
MANUFACTURED IN AMERICA

MASS NOTIFICATION WARNING PRODUCT

ELECTRICAL

- Battery Charger Input: 120 VAC, 60Hz, 7A fuse (240 VAC 50/60 Hz available)
- Battery Charger Output: 28 VDC, 10A (nominal)
- Batteries: (4) 12V, 115 AH lead calcium
- Standby Current: 82mA, 24 VDC
- Operating Current: 199A, 24 VDC
- Power Amplifier Output Power: Tone: 3600 watts,

ACOUSTIC PERFORMANCE

- Wattage: 3600 watts
- Estimated 70dB Range: 5,800 ft / 1768 m
Weather, terrain and other structures may impact the range. Each siren within the system may have a decreased or increased range depending on conditions beyond our control

ENVIRONMENTAL

- Operating Temperature: -40°C to +60°C
- Storage Temperature: -65°C to +125°C
- Humidity, Non Condensing: 0 to 95%

ORDERING INFORMATION

Basic system includes the following:

- **WPS2909** - Speaker assembly with 50' (15.24m) cable and electronic cabinet with all the standard components including voice board for 1-28 pre-recorded messages and Pole Top Bracket

OPTIONS

- **AUXIN (one-way) / AUXCS (two-way)** - Auxiliary boards for contact closure activation
- **D2030LL / D2030NV / D2030NU** - One-way controls
- **C2030LL / C2030NV / C2030NU** - Two-way controls
- **WPSTT** - Two-tone sequential
- **STATUS** - Cabinet window LED status indicator
- **PGINT** - Paging interface
- **INTRUWPS** - Intrusion alarm (two-way only)
- **MSGPROG** - Custom pre-recorded messages
- **MSGPROGL** - Whelen library messages
- **WPSNCMIC** - Microphone for public address use at the cabinet
- **WPSBATT** - One pair of Whelen approved batteries
- **RTM** - Roof top mount
- **SBC280** - Solar option

OPTIONAL LIGHTING ACCESSORIES

- **VALERT*** - VisuAlert lighting accessory
- **L31H*F4** - L31 LED, 24VDC
- **LCWPS** - LED controller with mounting plate, hardware and harnessing for L31
- **LEDCTRL** - LED controller only
*Specify color A=Amber, B=Blue, R=Red, C=White/Clear



Type III
Electronic
Cabinet

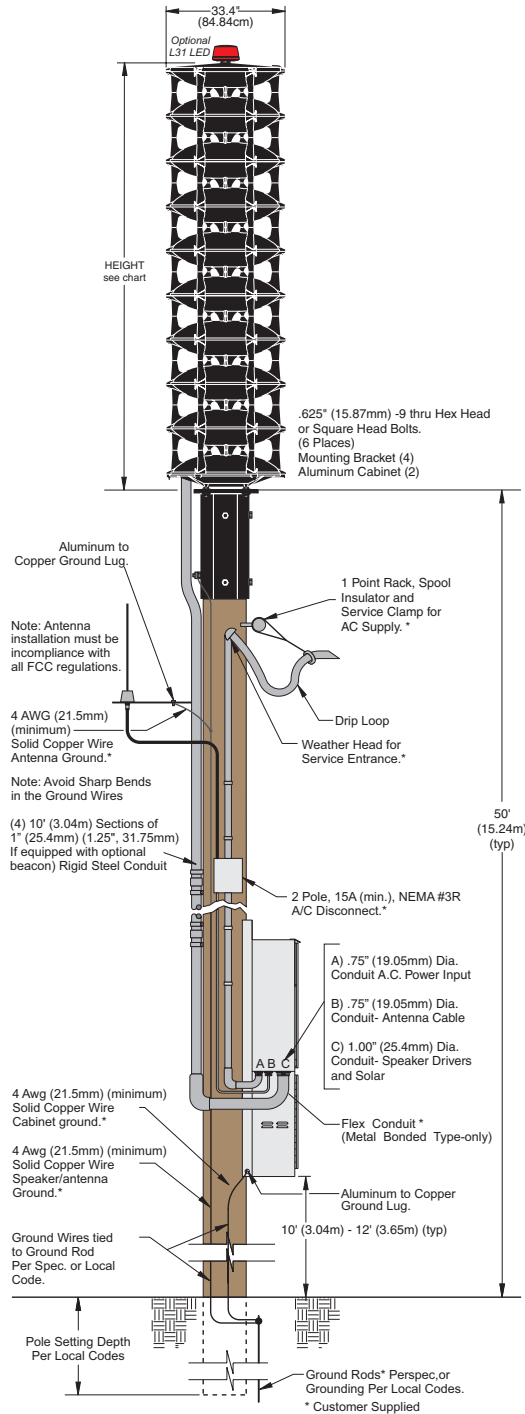
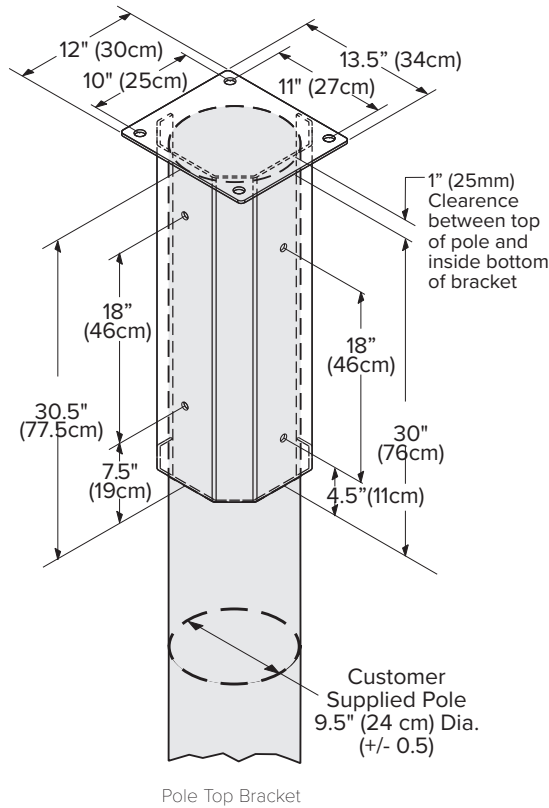


WPS2909 NINE CELL

WHELEN
MANUFACTURED IN AMERICA

TECH DRAWING

"Our Mass Notification Products Speak for Themselves™"



@WhelenENG

ISO 9001 REGISTERED QMS



Mass Notification Products | Whelen Engineering Company, Inc.

51 Winthrop Road, Chester, Connecticut 06412-0684 | 860-526-9504 | 800-637-4736

www.whelenmassnotification.com | iowasales@whelen.com

Whelen Engineering Company, Inc. reserves the right to upgrade its products with design improvements without notification. © 2023 Whelen Engineering Company, Inc. Printed in the U.S.A. MS1692K - 05/23

WARNING: This product may contain chemicals known to the State of California to cause cancer and birth defects or other reproductive harm. For more information, visit whelen.com/regulatory.