



WPS4003 THREE CELL

WHELEN
MANUFACTURED IN AMERICA

MASS NOTIFICATION WARNING SYSTEM

Whelen's All-Hazard WPS4003 Series High-Power Voice and Siren Systems deliver clear, powerful voice and siren communication.

SYSTEM FEATURES

- **WPS4003** - Speaker with three active speaker cells
- Two compartment (Type II) natural finish aluminum or stainless steel cabinet
- WPS4003 speaker includes three high efficiency 400 watt speaker drivers
- 50' (15.24m) Cable
- Pole top mounting bracket
- Public address and pre-recorded voice message capability
- Battery powered. Minimum of 30 minutes of full power output, with batteries of our recommendation.
- AC temperature compensated "tri-mode" 10 amp battery charger
- Local or remote controls available
- Three power amplifiers
- Electronic siren controller
- Tone generator timer
- Local control push-buttons
- Battery switch
- **RDVM1G** – digital voice 1-28 message capable
- **SI TEST**[®]
- **SLIDEOUT**[™] - Pull out battery tray
- Lightning arrestor
- Six standard public warning tones: Wail, Whoop, Attack, Hi-Lo, Alert, Airhorn



SYSTEM OPTIONS

- **Solar option** – 2 each, 80 watt panels, with brackets and solar regulator
- **Batteries** – 2 each, Delco S2000 or Interstate Workaholic 31-MHD Batteries. Also, check Whelen's web site for other recommended batteries. www.whelenmassnotification.com
- **Microphone** - Noise canceling microphone for use at the cabinet (locally) or at the control point (remotely)

 **WARNING:** This product may contain chemicals known to the State of California to cause cancer and birth defects or other reproductive harm. For more information, visit whelen.com/regulatory.



WPS4003 THREE CELL



MASS NOTIFICATION WARNING PRODUCT

ACTIVATION CONTROLS

Our VHF and UHF radio narrow-band control packages feature Whelen protocol COMM/STAT and include the following:

- Radio
- Radio interface
- Tone or digital squelch
- 3-5 dB gain omni-directional antenna with bracket
- 35' (10.67 m) of RG58 antenna cable
- Polyphaser
- **SI TEST**[®]
- Low battery alarm (two-way only)

Other features are dependent upon one or two-way controls. Whelen equipment can be interfaced with many different types of two-way radio communications products and systems, contact factory for special applications.

The following is available as standard options. **BOLD BLACK** in callout indicates the Whelen Model:

ONE-WAY CONTROLS

- **AUXIN** - Auxilliary board for contact closure activation
- **D2030LL** - 10 digit DTMF Landline activation
- **D2030NV** - 10 digit DTMF VHF High-Band Narrow - Band / 138-174 MHz
- **D2030NU** - 10 digit DTMF UHF Narrow-band / 450-470 MHz
- **WPSTT** - Two-tone sequential option

TWO-WAY CONTROLS

- **AUXCS** - Two-way contact closure activation and status board
- **C2030LL** - Two-way landline activation
- **C2030NV** - 10 digit DTMF VHF high band narrow band / 138-174 MHz
- **C2030NU** - 10 digit DTMF UHF Narrow-Band / 450-470 MHz

OPTIONS

- **STATUS** - Cabinet window LED status indicator
- **PGINT** - Paging interface to interface Whelen ones with existing paging systems
- **INTRUWPS** - Intrusion Alarm (available with two-way only)

SPECIFICATIONS

Component	Height Inches (CM)	Width Inches (CM)	Depth Inches (CM)	Weight Lbs. (kg)
WPS4003 Speaker	52.50 (133.35) (including Rotor)	29.00 (73.60)	56.00 (142.24)	281 (127.50)
Electronics Cabinet Type II (Aluminum)*	60.50 (153.67)	33.20 (84.33)	12.0 (30.50)	147 (66.70)**
Pole Top Bracket	30.50 (77.47) (with top plate)	12.0 (30.50) x 13.50 (34.30)	See Drawing	71 (32.20)

*Stainless cabinet option adds 58 lbs. (26.30 kg). A 6.00" wide Mounting channel adds 3.50" in height and 2.00" in depth. ** Less batteries. Two batteries, add 115 lbs. (40.90kg).

Whelen Engineering Company, Inc.

WARNING: This product may contain chemicals known to the State of California to cause cancer and birth defects or other reproductive harm. For more information, visit whelen.com/regulatory.



WPS4003 THREE CELL



MASS NOTIFICATION WARNING PRODUCT

ELECTRICAL

- Battery Charger Input: 120 VAC, 60Hz, 7A fuse (240 VAC 50/60 Hz available)
- Battery Charger Output: 28 VDC, 10A (nominal)
- Batteries: (2) 12V, 115 AH lead calcium
- Standby Current: 82mA, 24 VDC
- Operating Current: 67A, 24 VDC
- Power Amplifier Output Power: Tone: 1600 watts, Voice: 2000 watts

ENVIRONMENTAL

- Operating Temperature: -35°C to +60°C
- Storage Temperature: -65°C to +125°C
- Humidity, Non Condensing: 0 to 95%

ORDERING INFORMATION

Basic system includes the following:

- **WPS4003** - Speaker assembly with 50' (15.24m) cable and electronic cabinet with all the standard components including voice board for 1-28 pre-recorded messages and Pole Top Bracket

OPTIONS

- **AUXIN (one-way) / AUXCS (two-way)** - Auxiliary boards for contact closure activation
- **D2030LL / D2030NV / D2030NU** - One-way radio controls
- **C2030LL / C2030NV / C2030NU** - Two-way radio control / status monitoring, COMM/STAT™
- **WPSTT** - Two-tone sequential
- **STATUS** - Cabinet window LED status indicator
- **PGINT** - Paging interface
- **INTRUWPS** - Intrusion alarm (two-way only)
- **MSGPROG** - Custom pre-recorded messages
- **MSGPROGL** - Whelen library messages
- **WPSNCMIC** - Microphone for public address use at the cabinet
- **WPSBATT** - One pair of Whelen approved batteries
- **SBC280** - Solar option

ACOUSTIC PERFORMANCE

- Wattage: 1200 watts
- Estimated 70dB Range: 5,400 ft / 1646 m
Weather, terrain and other structures may impact the range. Each siren within the system may have a decreased or increased range depending on conditions beyond our control



Type II Electronic Cabinet

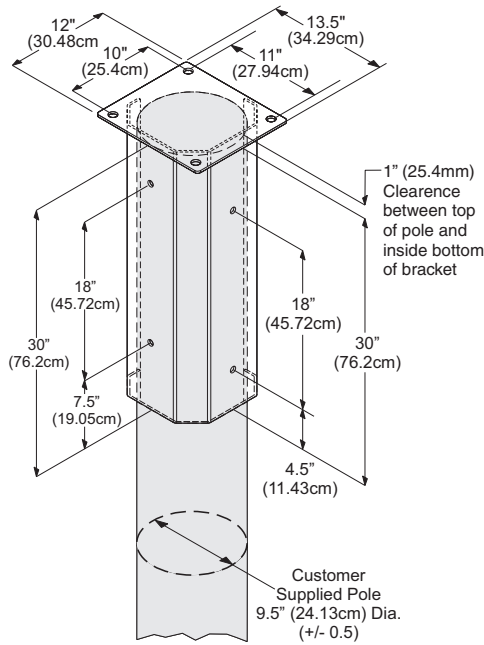


WPS4003 THREE CELL

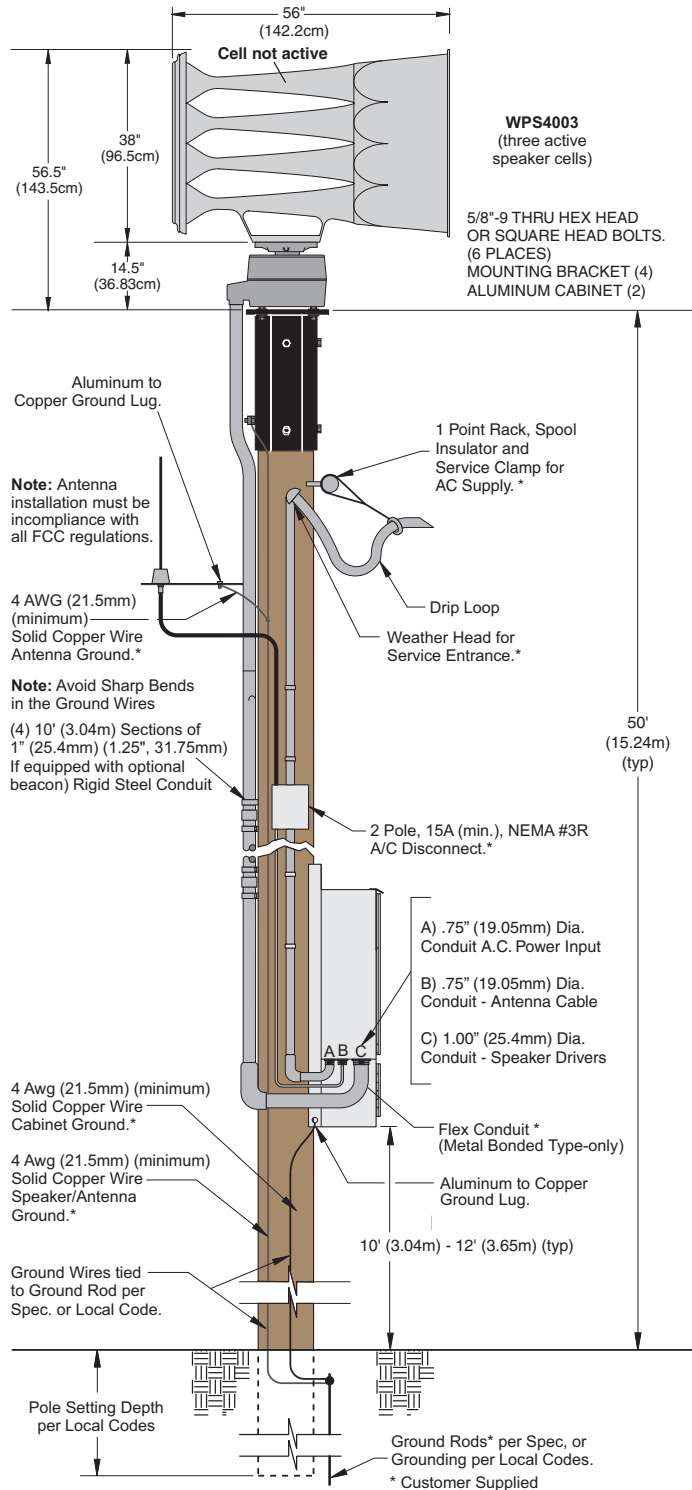
WHELEN
MANUFACTURED IN AMERICA

TECH DRAWING

"Our Mass Notification Products Speak for Themselves™"



Pole Top Bracket



@WhelenENG

ISO 9001 REGISTERED QMS



Mass Notification Products | Whelen Engineering Company, Inc.
51 Winthrop Road, Chester, Connecticut 06412-0684 | 860-526-9504 | 800-637-4736
www.whelenmassnotification.com | iowasales@whelen.com

Whelen Engineering Company, Inc. reserves the right to upgrade its products with design improvements without notification. © 2023 Whelen Engineering Company, Inc. Printed in the U.S.A. MS10596M - 06/23

WARNING: This product may contain chemicals known to the State of California to cause cancer and birth defects or other reproductive harm. For more information, visit whelen.com/regulatory.