



# WPS4004 FOUR CELL

**WHELEN**  
MANUFACTURED IN AMERICA

## MASS NOTIFICATION WARNING SYSTEM

Whelen's All-Hazard WPS4004 Series High-Power Voice and Siren Systems deliver clear, powerful voice and siren communication.

### SYSTEM FEATURES

- **WPS4004** - Speaker with four active speaker cells
- Two compartment (Type II) natural finish aluminum or stainless steel cabinet
- WPS4004 speaker includes four high efficiency 400 watt speaker drivers
- 50' (15.24m) Cable
- Pole top mounting bracket
- Public address and pre-recorded voice message capability
- Battery powered. Minimum of 30 minutes of full power output, with batteries of our recommendation.
- AC temperature compensated "tri-mode" 10 amp battery charger
- Local or remote controls available
- Four power amplifiers
- Electronic siren controller
- Tone generator timer
- Local control push-buttons
- Battery switch
- **RDVM1G** – digital voice 1-28 message capable
- **SI TEST**®
- **SLIDEOUT**™ - Pull out battery tray
- Lightning arrestor
- Six standard public warning tones: Wail, Whoop, Attack, Hi-Lo, Alert, Airhorn



### SYSTEM OPTIONS

- **Solar option** – 2 each, 80 watt panels, with brackets and solar regulator
- **Batteries** – 2 each, Delco S2000 or Interstate Workaholic 31-MHD Batteries. Also, check Whelen's web site for other recommended batteries. [www.whelenmassnotification.com](http://www.whelenmassnotification.com)
- **Microphone** - Noise canceling microphone for use at the cabinet (locally) or at the control point (remotely)

Whelen Engineering Company, Inc.

**WARNING:** This product may contain chemicals known to the State of California to cause cancer and birth defects or other reproductive harm. For more information, visit [whelen.com/regulatory](http://whelen.com/regulatory).



# WPS4004 FOUR CELL



## MASS NOTIFICATION WARNING PRODUCT

### ACTIVATION CONTROLS

Our VHF and UHF radio narrow-band control packages feature Whelen protocol COMM/STAT™ and include the following:

- Radio
- Radio interface
- Tone or digital squelch
- 3-5 dB gain omni-directional antenna with bracket
- 35' (10.67 m) of RG58 antenna cable
- Polyphaser
- **SI TEST**®
- Low battery alarm (two-way only)

Other features are dependent upon one or two-way controls. Whelen equipment can be interfaced with many different types of two-way radio communications products and systems, the following is available as standard options. Contact the factory for special applications.

The following is available as standard options. **BOLD BLACK** in callout indicates the Whelen Model:

#### ONE-WAY CONTROLS

- **AUXIN** - Auxilliary board for contact closure activation
- **D2030LL** - 10 digit DTMF landline activation / 138-174 MHz
- **D2030NV** - 10 digit DTMF VHF high band narrow band / 450-470 MHz
- **D2030NU** - 10 digit DTMF UHF Narrow-band
- **WPSTT** - Two-tone sequential option

#### TWO-WAY CONTROLS

- **AUXCS** - Two-way contact closure activation and status board
- **C2030LL** - Two-way landline activation
- **C2030NV** - 10 digit DTMF VHF high band narrow band / 138-174 MHz
- **C2030NU** - 10 digit DTMF UHF Narrow-Band / 450-470 MHz

#### OPTIONS

- **STATUS** - Cabinet window LED status indicator
- **PGINT** - Paging interface
- **INTRUWPS** - Intrusion Alarm (available with two-way only)

### SPECIFICATIONS

Component	Height Inches (CM)	Width Inches (CM)	Depth Inches (CM)	Weight Lbs. (kg)
<b>WPS4004 Speaker</b>	52.50 (133.35) (including Rotor)	29.00 (73.60)	56.00 (142.24)	281 (127.50)
<b>Electronics Cabinet Type II (Aluminum)*</b>	60.50 (153.67)	33.20 (84.33)	12.0 (30.50)	147 (66.70)**
<b>Pole Top Bracket</b>	30.50 (77.47) (with top plate)	12.0 (30.50) x 13.50 (34.30)	See Drawing	71 (32.20)

\*Stainless cabinet option adds 58 lbs. (26.30 kg). A 6.00" wide Mounting channel adds 3.50" in height and 2.00" in depth. \*\* Less batteries. Two batteries, add 115 lbs. (40.90kg).

Whelen Engineering Company, Inc.

**WARNING:** This product may contain chemicals known to the State of California to cause cancer and birth defects or other reproductive harm. For more information, visit [whelen.com/regulatory](http://whelen.com/regulatory).



# WPS4004 FOUR CELL



## MASS NOTIFICATION WARNING PRODUCT

### ELECTRICAL

- Battery Charger Input: 120 VAC, 60Hz, 7A fuse (240 VAC 50/60 Hz available)
- Battery Charger Output: 28 VDC, 10A (nominal)
- Batteries: (2) 12V, 115 AH lead calcium
- Standby Current: 82mA, 24 VDC
- Operating Current: 89A, 24 VDC
- Power Amplifier Output Power: Tone: 1600 watts, Voice: 2000 watts

### ENVIRONMENTAL

- Operating Temperature: -35°C to +60°C
- Storage Temperature: -65°C to +125°C
- Humidity, Non Condensing: 0 to 95%

### ORDERING INFORMATION

Basic system includes the following:

- **WPS4004** - Speaker assembly with 50' (15.24m) cable and electronic cabinet with all the standard components including voice board for 1-28 pre-recorded messages and Pole Top Bracket

### OPTIONS

- **AUXIN (one-way) / AUXCS (two-way)** - Auxiliary boards for contact closure activation
- **D2030LL / D2030NV / D2030NU** - One-way radio controls
- **C2030LL / C2030NV / C2030NU** - Two-way radio control / status monitoring, COMM/STAT™
- **WPSTT** - Two-tone sequential
- **STATUS** - Cabinet window LED status indicator
- **PGINT** - Paging interface
- **INTRUWPS** - Intrusion alarm (two-way only)
- **MSGPROG** - Custom pre-recorded messages
- **MSGPROGL** - Whelen library messages
- **WPSNCMIC** - Microphone for public address use at the cabinet
- **WPSBATT** - One pair of Whelen approved batteries

### ACOUSTIC PERFORMANCE

- Wattage: 1600 watts
- Estimated 70dB Range: 6,000 ft / 1829 m  
Weather, terrain and other structures may impact the range. Each siren within the system may have a decreased or increased range depending on conditions beyond our control



Type II  
Electronic  
Cabinet

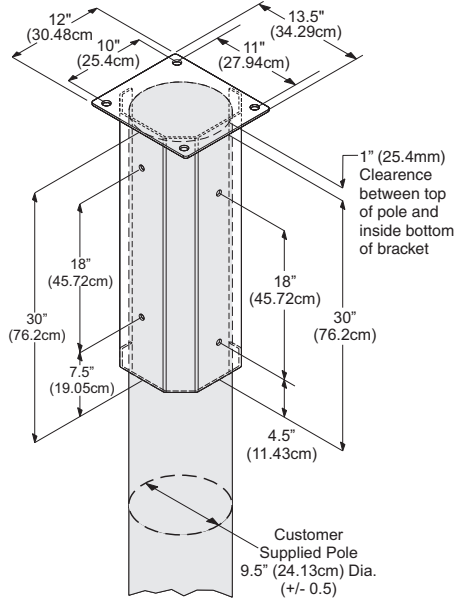


# WPS4004 FOUR CELL

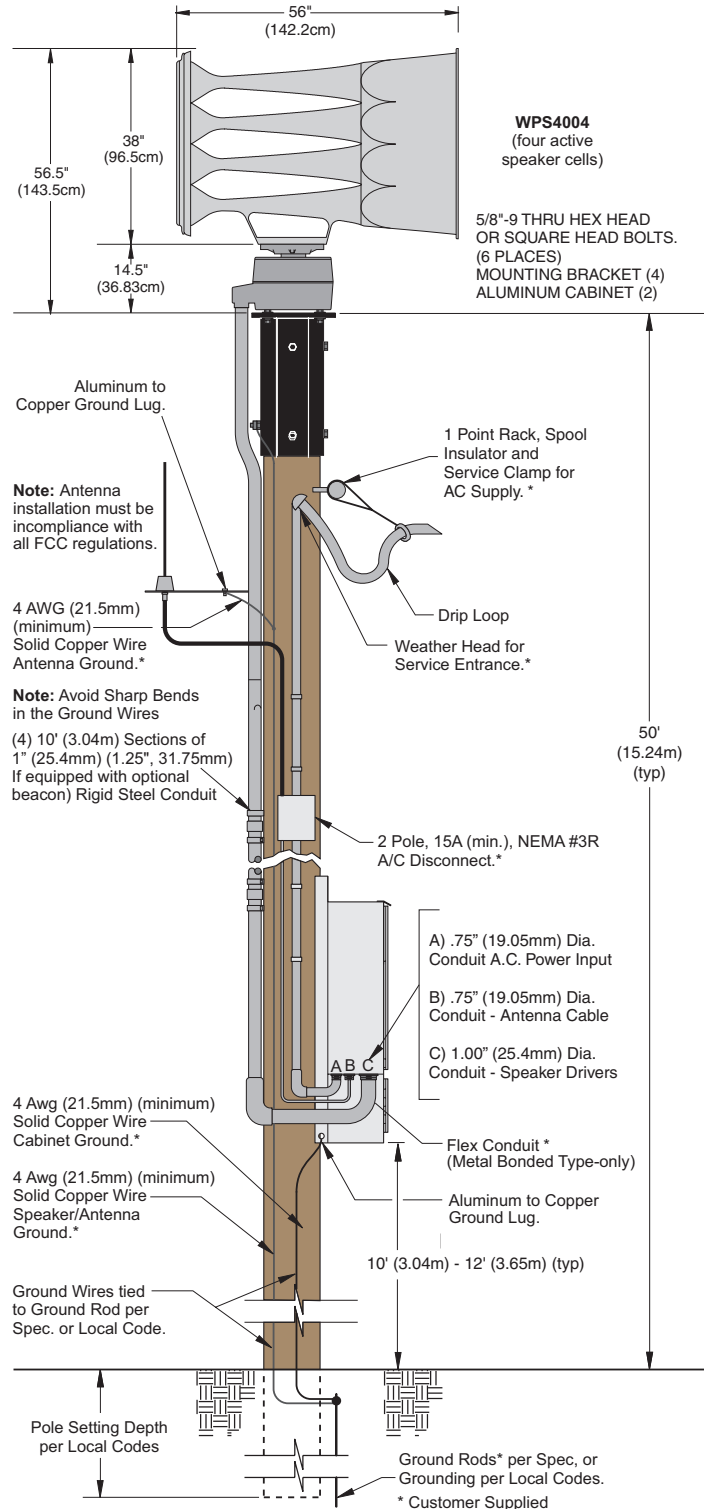
**WHELEN**  
MANUFACTURED IN AMERICA

## TECH DRAWING

"Our Mass Notification Products Speak for Themselves™"



Pole Top Bracket



ISO 9001 REGISTERED QMS

Mass Notification Products | Whelen Engineering Company, Inc.  
51 Winthrop Road, Chester, Connecticut 06412-0684 | 860-526-9504 | 800-637-4736  
www.whelenmassnotification.com | iowasales@whelen.com

Whelen Engineering Company, Inc. reserves the right to upgrade its products with design improvements without notification. © 2023 Whelen Engineering Company, Inc. Printed in the U.S.A. MS10566M - 06/23

**WARNING:** This product may contain chemicals known to the State of California to cause cancer and birth defects or other reproductive harm. For more information, visit [whelen.com/regulatory](http://whelen.com/regulatory).