

ECONOMICAL ALL HAZARD SIREN SYSTEM

Whelen's HORNET Series All Hazard Sirens provide an economical alternative for replacing outdated electro-mechanical sirens.

SYSTEM FEATURES

- **HORNET** - Speaker assembly
 - Two Compartment (Type I) natural finish aluminum cabinet
- Speaker includes one high efficiency 400 watt speaker driver
- 50' (15.24m) Cable
- Battery powered. Minimum of 15 minutes of full power output with batteries of our recommendation
- AC temperature compensated 5 amp battery charger
- Local controls or remote controls
- One power amplifier
- Rotor
- Electronic siren controller
- Tone generator timer
- Local control push-buttons
- **SI TEST**®
 - Low Battery alarm
 - Battery tray
 - Lightning arrestor
 - Six standard public warning tones: Wail, Whoop, Attack, Hi-Lo, Alert, Airhorn

SYSTEM OPTIONS

- **Solar Option** – 2 each, 80 watt panels, with brackets and solar regulator
- **Batteries** – 2 each, Whelen approved batteries. Check Whelen's web site, www.whelenmassnotification.com for other recommended batteries
- Pole Top Bracket



HORNET
mounted on
Rotor



ECONOMICAL ALL HAZARD SIREN SYSTEM

ACTIVATION CONTROLS

Our VHF High and UHF siren activation control packages include the following:

- Radio
- Radio interface
- Tone or digital squelch
- 3-5 dB gain omni-directional antenna with bracket
- 35' (10.67 m) of RG58 antenna cable
- Polyphaser
- **SI TEST**
- Low battery alarm (two-way only)

Other features are dependent upon one or two-way controls. Whelen equipment can be interfaced with many different types of two-way radio communications products and systems. The following is offered as standard options. Contact the factory for special applications.

The following are available as standard options. **BLACK BOLD** indicates the Whelen Model:

ONE-WAY CONTROLS

- **HAUXIN** – Auxilliary board for contact closure activation
- **HD2030LL** – 10 digit DTMF Landline activation
- **HD230NV** – 10 digit DTMF VHF High-Band Narrow-Band/138-174 MHz
- **HD230NU** – 10 digit DTMF UHF Narrow-Band /450-470 MHz
- **HORTT** – Two-tone sequential option

TWO-WAY CONTROLS


- **HAUXCS** – Two-way contact closure activation and status board
- **HC2030LL** – Two-way landline activation
- **HC230NV** – 10 digit DTMF VHF High-Band Narrow-Band/138-174 MHz
- **HC230NU** – 10 digit DTMF UHF Narrow-Band/450- 470 MHz

OPTIONS

- **HSTATUS** – Cabinet window LED status indicator
- **HPGINT** – Paging interface to interface Whelen ones with existing paging systems
- **HINTRU**– Intrusion alarm (available with two-way only)

Component	Height Inches (CM)	Width Inches (CM)	Depth Inches (CM)	Weight Lbs. (kg)
HORNET Speaker & Rotor	41.0 (104.2) (including Rotor)	30.5 (77.5)	23.0 (58.4)	100 (45.4)
Electronics Cabinet Type I	32.5 (82.6)	22.5 (57.2)	10.5 (26.7)	67 (30.5)*
Pole Top Bracket (Optional)	See Drawing			71 (32.3)

*Less batteries. Two batteries, add 90 lbs. (40.9kg)

 **WARNING:** This product may contain chemicals known to the State of California to cause cancer and birth defects or other reproductive harm. For more information, visit whelen.com/regulatory.

SPECIFICATION

ELECTRICAL

- **Battery Charger Input:** 120VAC, 60Hz, 7A fuse
- **Battery Charger Output:** 28VDC, 5A (nominal)
- **Batteries:** (2) 12V, 60AH lead calcium (user supplied)
- **Standby Current:** 82mA
- **Operating Current:** 22A, 24VDC
- **Power Amplifier Output Power:** 400 Watts

ENVIRONMENTAL

- **Operating Temperature:** -35°C to +60°C
- **Storage Temperature:** -65°C to +125°C
- **Humidity, Non Condensing:** 0 to 95%

ORDERING INFORMATION

Basic system includes the following:

- **HORNET** – Speaker assembly & electronics cabinet

OPTIONS

- **HAUXIN** (one-way)/**HAUXCS** (two-way) – Auxiliary boards for contact closure activation
- **HD2030LL/HD230NV/HD230NU** – One-way controls
- **HC2030LL/HC230NV/HC230NU** – Two-way radio controls
- **HORTT** – Two-tone sequential
- **HSTATUS** – Cabinet window LED status indicator
- **HPGINT** – Paging interface to interface Whelen tones with existing paging systems
- **HINTRU** – Intrusion alarm
- **HSBC80** – Solar power¹
- **HPTB** – Speaker pole top bracket
- **BSETHOR** – One pair of batteries

¹Solar power option includes 2-80 watt panels, mounting bracket and regulator

HORNET ACOUSTIC PERFORMANCE

Wattage: 400 Watts

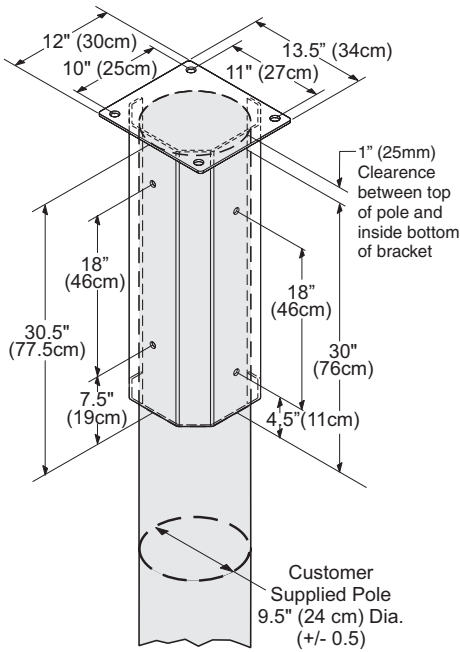
Estimated 70dB Range: 2,400 ft / 730 m



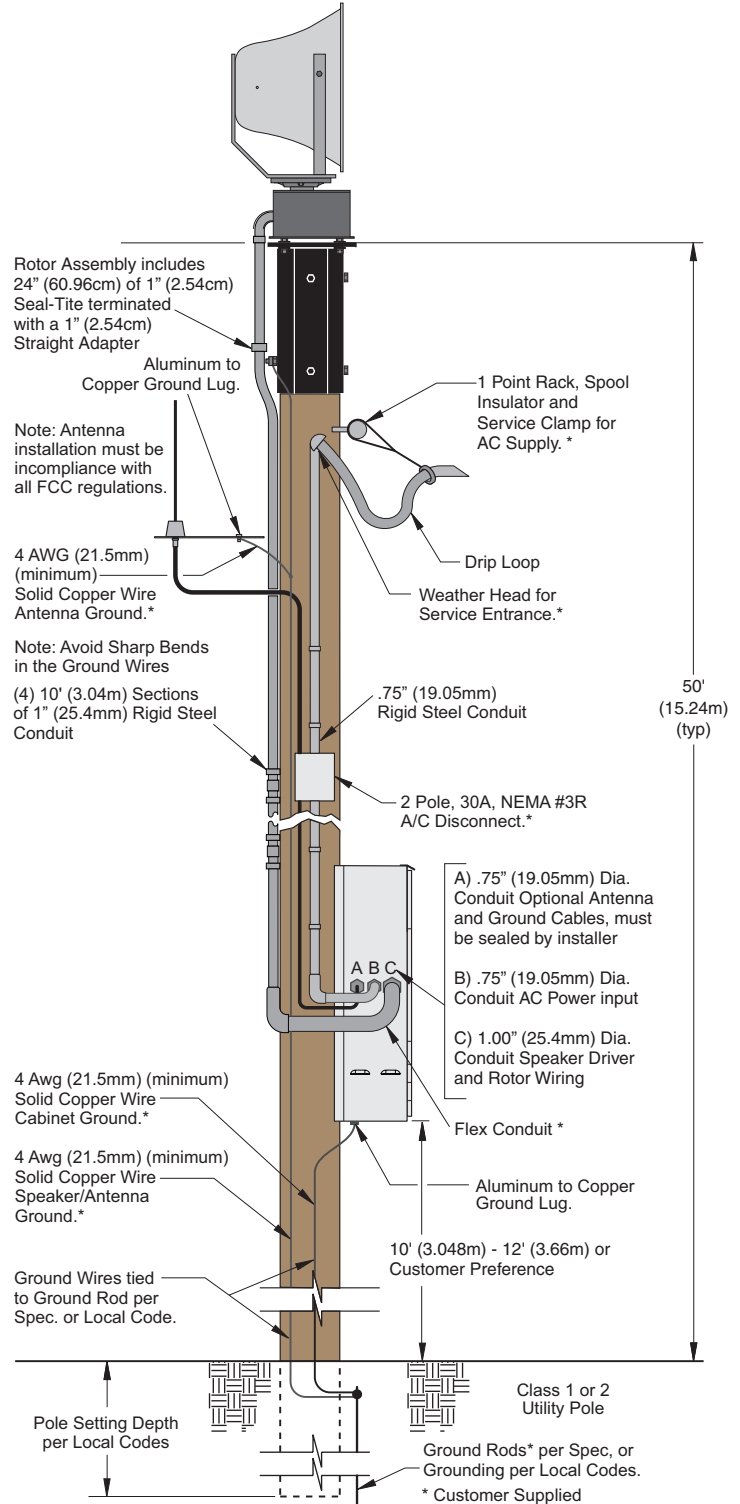
Type I Electronic Cabinet
with optional Batteries
(BSETHOR)



"Our Mass Notification Products Speak for Themselves™"



Optional Model HPTB Pole Top Bracket Mount Dimensions



ISO 9001 REGISTERED QMS

Mass Notification Products | Whelen Engineering Company, Inc.
51 Winthrop Road, Chester, Connecticut 06412-0684 | 860-526-9504 | 800-637-4736
www.whelenmassnotification.com | iowasales@whelen.com

Whelen Engineering Company, Inc. reserves the right to upgrade its products with design improvements without notification. © 2023 Whelen Engineering Company, Inc. Printed in the U.S.A. MS11684N - 05/23

WARNING: This product may contain chemicals known to the State of California to cause cancer and birth defects or other reproductive harm. For more information, visit whelen.com/regulatory.